

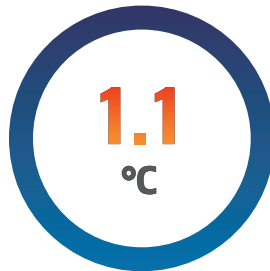
Best Seller

2~8°C Pharmacy Refrigerator

High-quality Product Temperature Uniformity
Ensuring Safety of Storage



YC-1015L



Temp. Uniformity



Pulling Down to 5°C



Temp. Recovery After Door Opened for 1 Min

**Typical freezer data based on internal testing with freezer set point at 5°C and ambient temperature at 25°C.*

● Features



Temperature Control System

Display temp.in 0.1°C increments



Double-pane Glass Door

Automotive Electric Heating function



Hydrocarbon Refrigerant

Environment-friendly
Natural Gas



CE Certificate



Built-in Data Logger

Export up to 12 months of temperature data

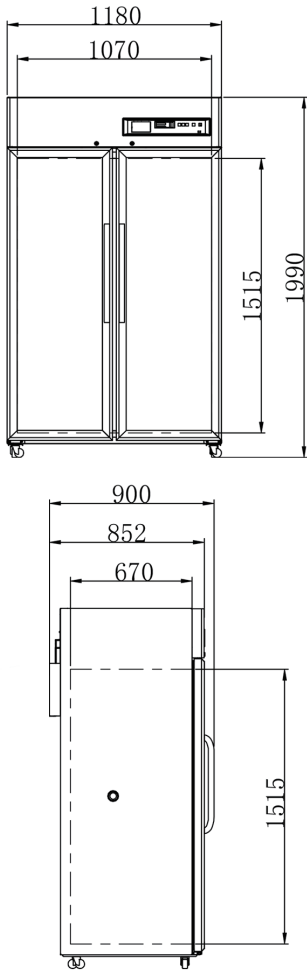


Alarms System

Multiple alarm functions

● Structure





2~8°C Pharmacy Refrigerator		
Model	YC-1015L	
Capacity	1015/35.84Cu.Ft	
Internal Size (W*D*H) mm/Inch	1070*670*1515/42.13*26.38*59.65	
External Size (W*D*H) mm/Inch	1180*852*1990/46.46*33.54*78.35	
Package Size (W*D*H) mm/Inch	1280*920*2127/50.2*37.4*84.3	
NW(Kgs/Lbs)	185/407.86	
GW(Kgs/Lbs)	221/487.22	
Performance		
Temperature Range	2~8°C	
Ambient Temperature	16~32°C	
Cooling Performance	5°C	
Climate Class	N	
Controller	Microprocessor	
Display	Digital Display	
Refrigeration		
Compressor	1pc	
Cooling Method	Air Cooling	
Defrost Mode	Automatical	
Refrigerant	R290	
Insulation Thickness(mm)	D:55, L/R:55, B:55, U/D:56/58	
Construction		
External Material	PCM	
Inner Material	Sprayed Aluminum Plate	
Shelves	12	
Access Test Port	1pc. Ø 23mm	
Casters	4(2 brakes)	
Data Logging/Export	Record every 10 mins/Max.12 months via USB port	
Interface	Remote Alarm Contact, RS485	
Backup Battery	Yes	
Alarms		
Temperature	High/Low Temperature, High Ambient Temperature, Condenser High Temperature Alarm	
Electrical	Power Failure, Low Battery, Sensor Error	
System	Data Communication Failure, Door Ajar, Data Logger Failure	
Electrical		
Power Supply(V/Hz)	110V/60Hz	220~240V;50/60Hz
Rated Current(A)	6.1A	3.78A

*Zhongke Meiling reserves the right to change products and specifications without prior notice.